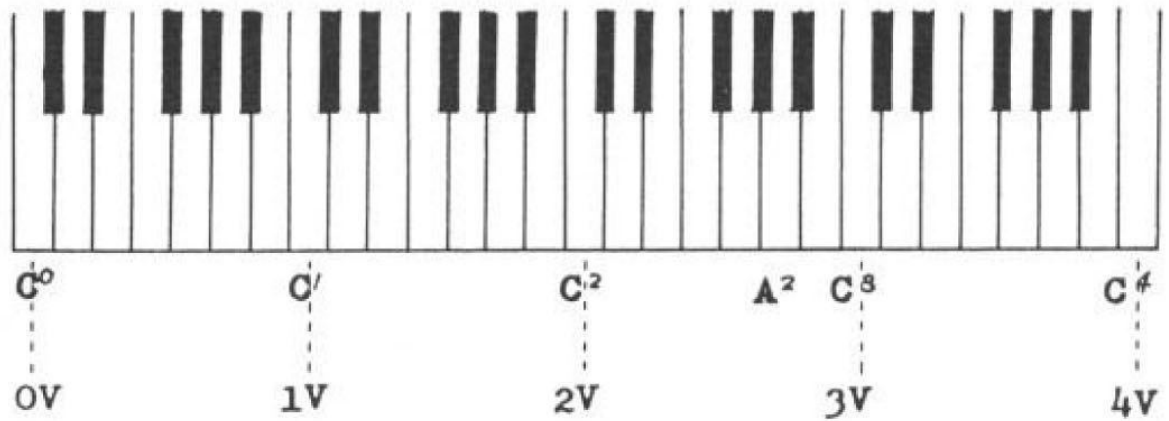
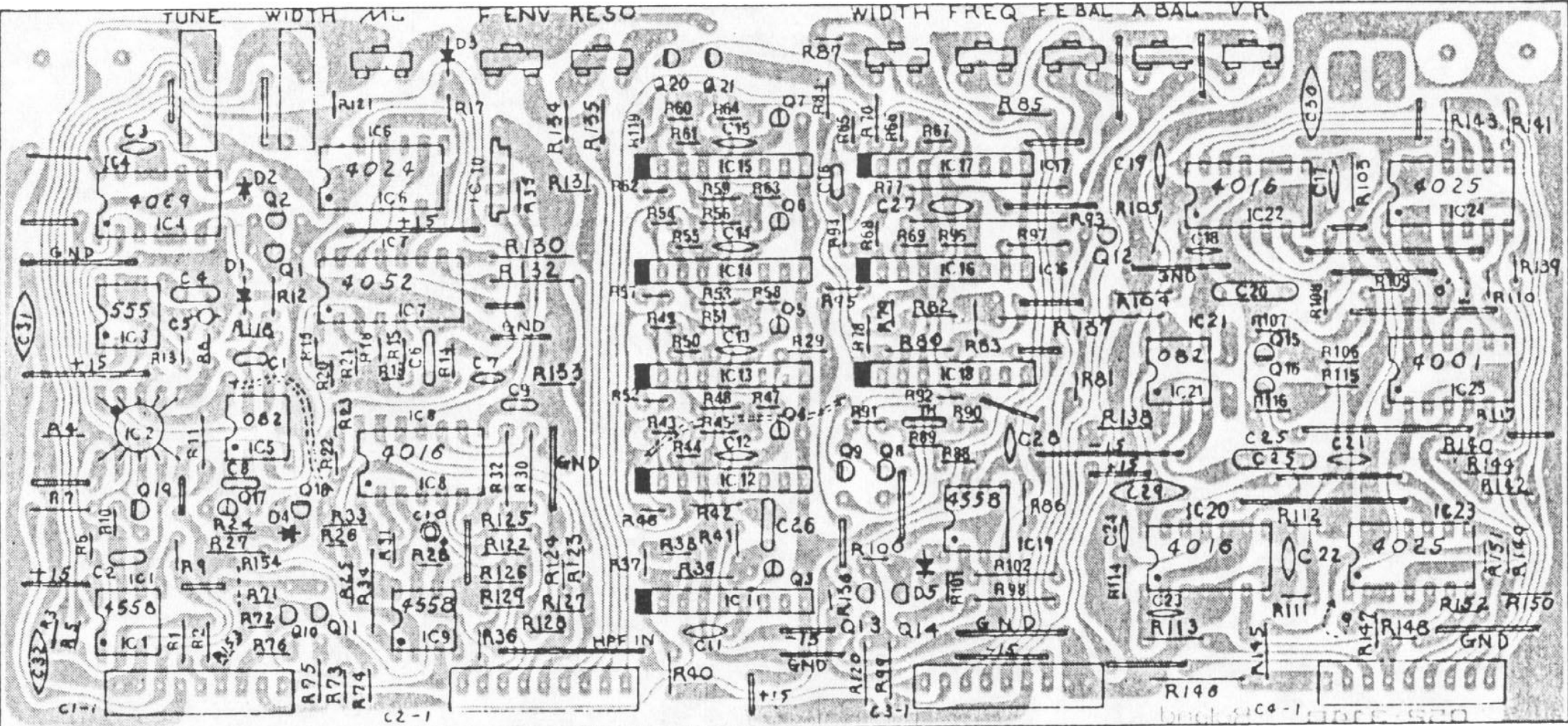


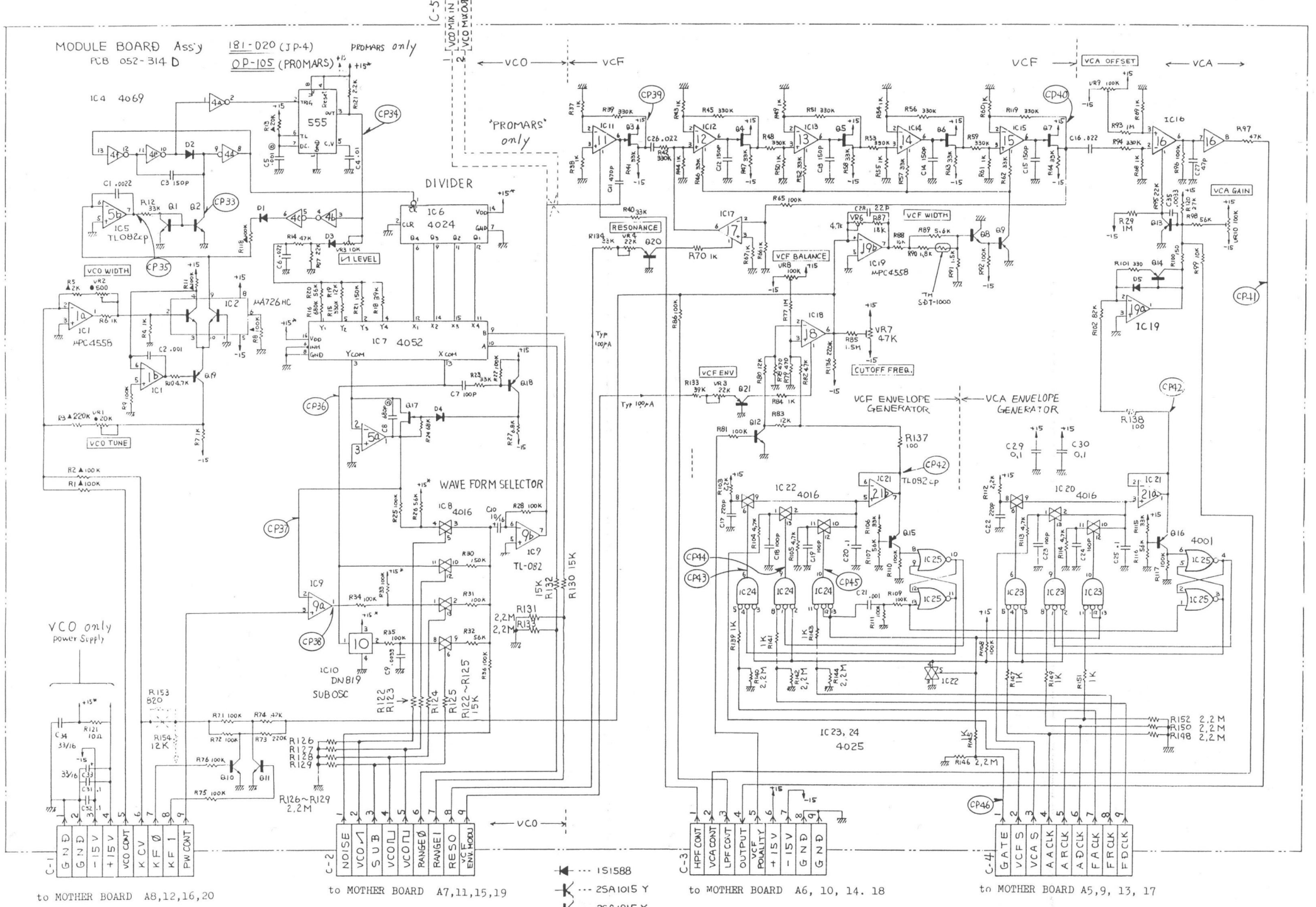
UNISON 1
 UNISON 2
 POLY 1
 POLY 2



VR1 VR2 VR3 VR4 VR5 VR6 VR7 VR8 VR9 VR10



C-1 9 1 C-2 9 1 C-3 9 1 C-4 9



to MOTHER BOARD A8,12,16,20

to MOTHER BOARD A7,11,15,19

to MOTHER BOARD A6, 10, 14, 18

to MOTHER BOARD A5,9, 13, 17

© --- Polystyrene Film Capacitor (C5, C8)
 ▲ --- CRB 1/4FX MFR
 ● --- MF VR

NOTE: R153 & R154 are "PROMARS" only

▲ --- 15I588
 ▲ --- 25A1015 Y
 ▲ --- 25C1815 Y
 ▲ --- 25K30A GR

MODULE BOARD

SERIAL NO. 800800 ---

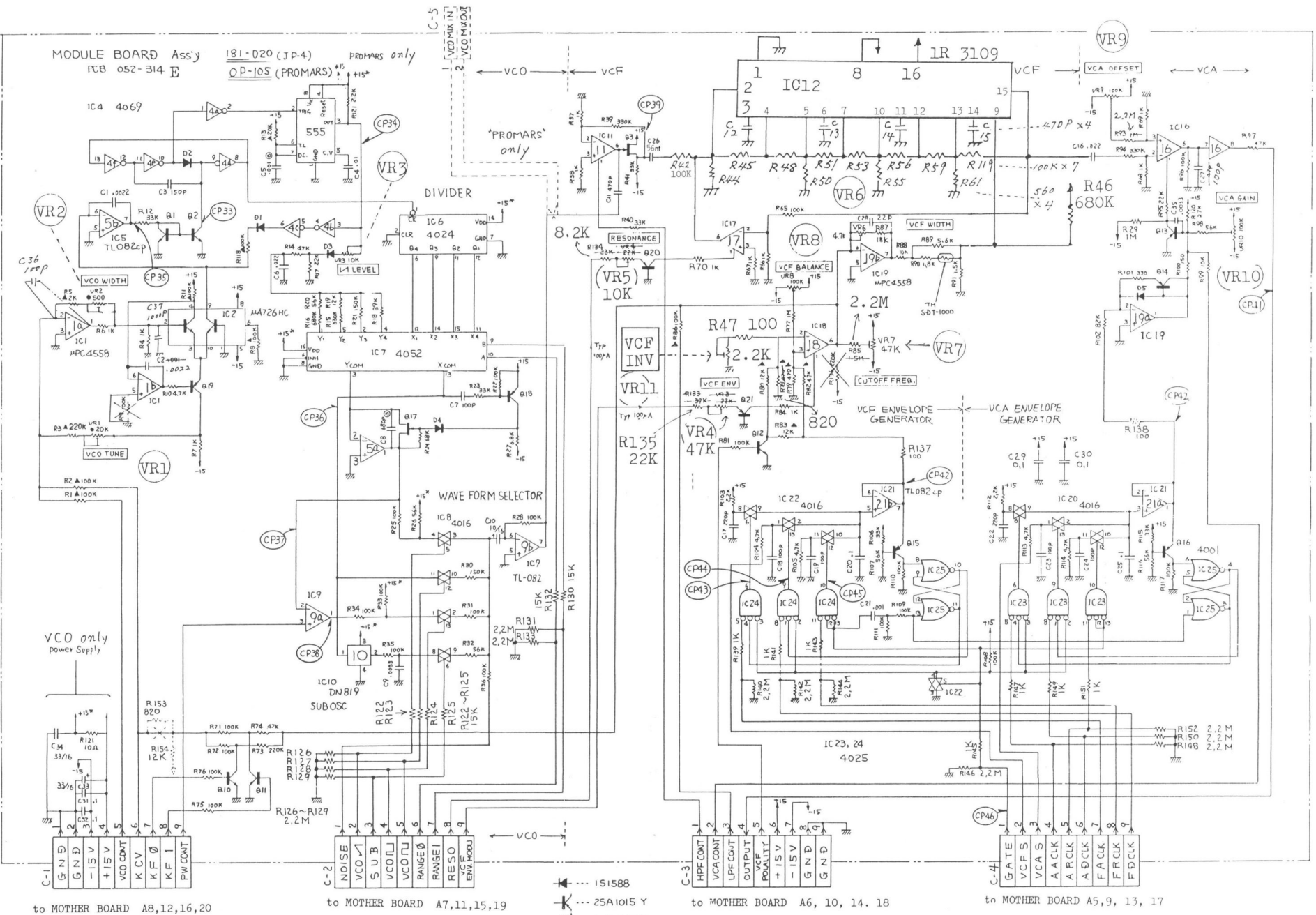
CHANGINGS of VCF IC to 1R3109(IC12) involves some modifications on peripheral circuits whose designations are shown in type-written.

SUPPLEMENT on 181-020D Diagram C36 and C37 S/N 861500- Filter out pulses induced on KCV IN

uA726HC (IC2) Factory selected with color dot

Resistance of R8 is to be determined according to the color on IC2.

Red -- 82K
Green-100K
Non --120K



● --- Polystyrene Film Capacitor (C5, C8)
▲ --- CRB 1/4FX MFR 1/16
● --- MF VR

NOTE: R153 & R154 are "PROMARS" only

IC 11, 17, 18 : BA662 selected (same color)
IC 16 : BA662 B
IC 4 : TC4069UBP or CD4069UBE

IC20, IC22 : 4016
IC23, IC24 : 4025
The same brand IC should be mounted on four module boards for simultaneous ATTACK TIME passages.

to MOTHER BOARD A8,12,16,20

to MOTHER BOARD A7,11,15,19

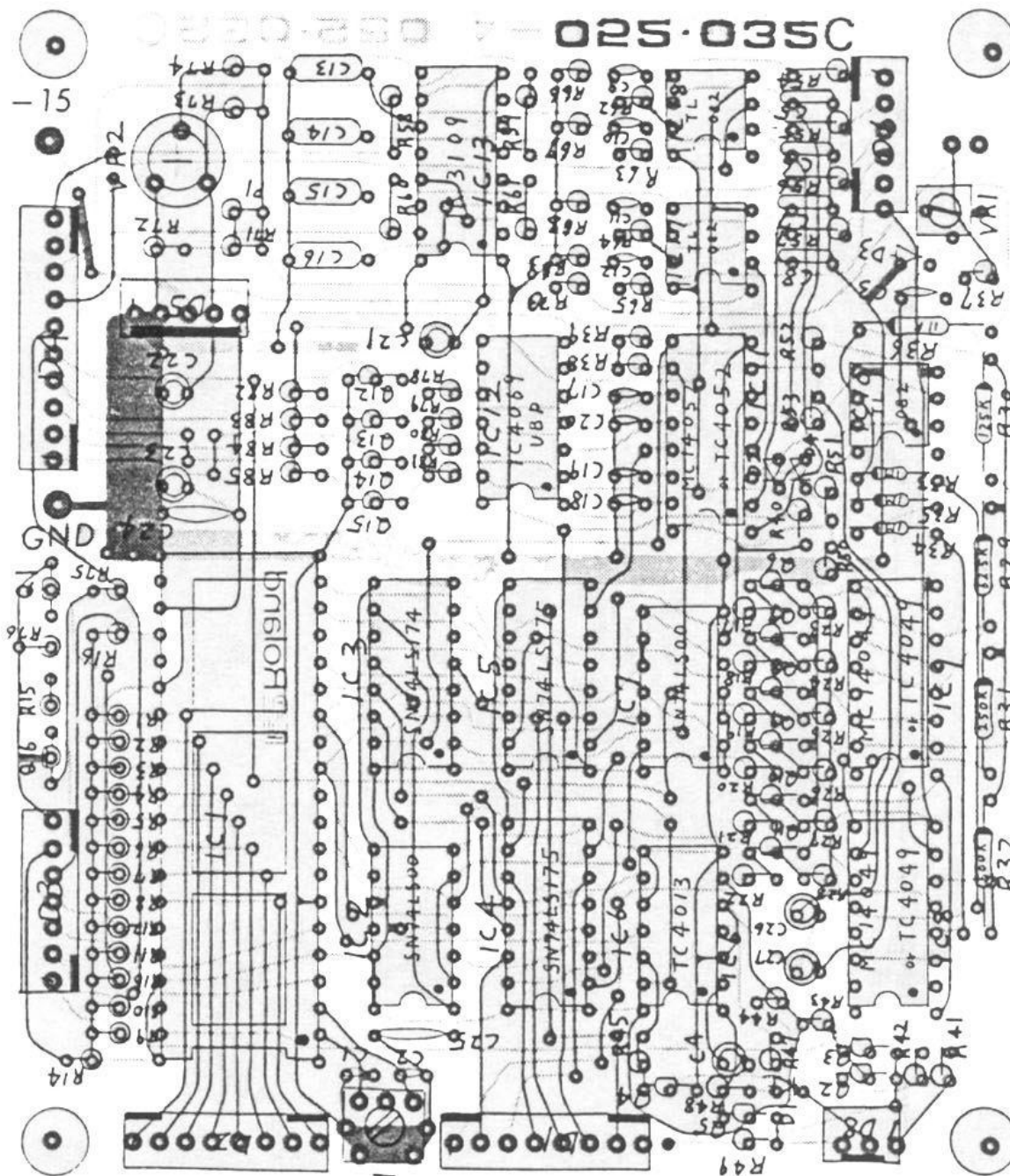
to MOTHER BOARD A6, 10, 14, 18

to MOTHER BOARD A5,9, 13, 17

KEY ASSIGNER 181-022C (pcb 052-032C)

Serial Numbers 952750-952799
952850-

NOTE: S/N 952800-952849
181-022B



to CONTROL BOARD D
J-4

181-022B and 181-022C

INTERCHANGEABLE
With PORTAMENTO (VR-3)
on CONTROL BOARD D
changed as PCBs change:

181-022B--VM10RB10C
K20 2MA

181-022C--VM10RB10C
K20 50KB

ADJUSTMENT

PORTAMENTO - VR2
C version only

IC13 1R3109

Four circuits on one
chip provide synchro-
nous Portamento Times.

